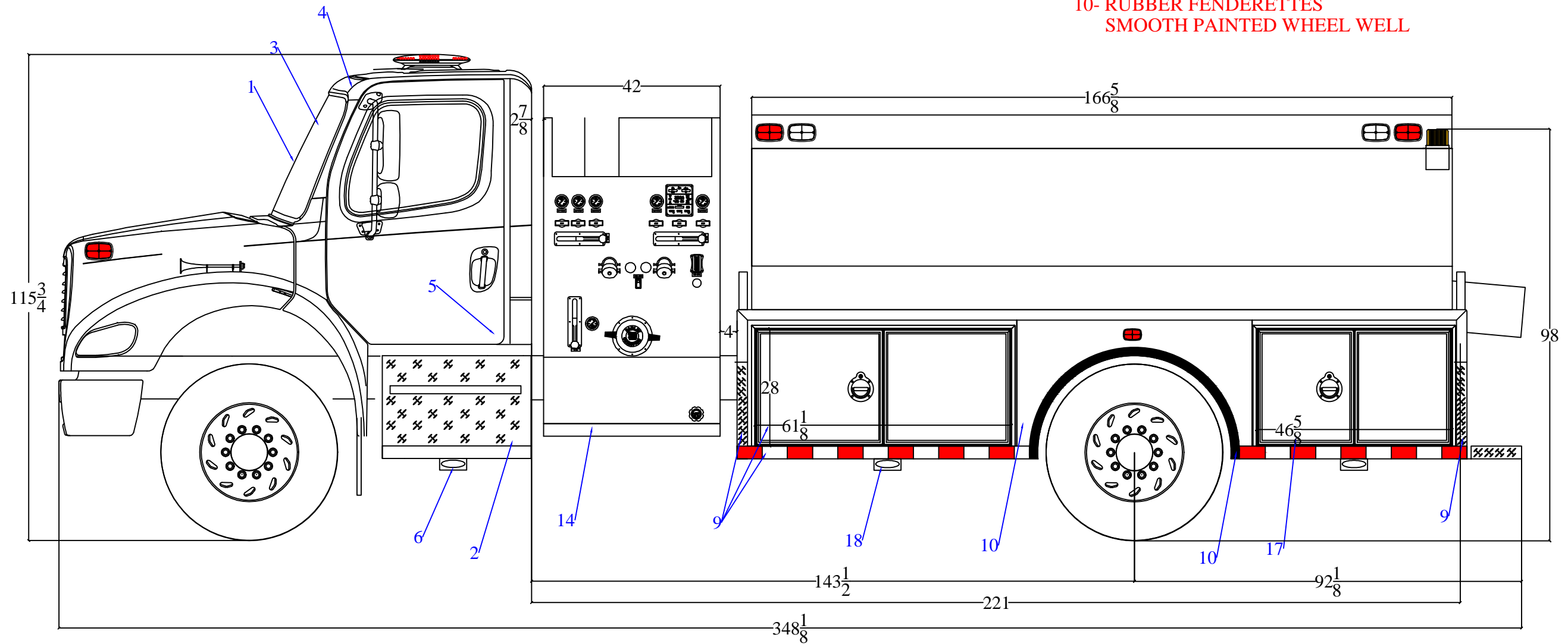


MODULE PARTS LIST			MODULE ELECTRICAL LIST		
ID #	DISCRIPTION	QTY.	ID #	DISCRIPTION	QTY.
9	STD. OPTIONS ***SEE NOTES***	-	16	ALL LIGHTS TO BE PROVIDED BY WHELEN	-
10	SPECIAL OPTIONS ***SEE NOTES***	-	17	COMPT. LIGHTS 9"	4
14	HALE PUMP MODULE	1	18	UNDERBODY LIGHTS	6

9- D/P KICK PANEL  
D/P STONE GUARDS  
D/P KICK PANELS  
NFPA D/P 12.5" BUMPER  
COMPTS- VENTED W/ DRAIN HOLES  
C-CHANNEL W/ RED/ WHITE REFLECTIVE  
LICENSE PLATE W/ LED LIGHT  
REAR TOW EYES  
FRONT AND REAR MUD FLAPS  
EXTRUDED DOORS W/ D-RING LATCHES

10- RUBBER FENDERETTES  
SMOOTH PAINTED WHEEL WELL



CAB PARTS LIST			CAB ELECTRICAL LIST		
ID #	DISCRIPTION	QTY.	ID #	DISCRIPTION	QTY.
1	2017 FREIGHTLINER M2 106 CHASSIS	1	4	TOUCH TEC ELECTRICAL SYSTEM	1
2	D/P RUNNING BOARDS W/ GRIP	2	5	MASTER BATTERY SWITCH @ DRIVER DOOR	1
3	ALUM JOTTO DESK CONSOLE 425-6248, 425-6203	1	6	UNDERBODY LIGHTS	2

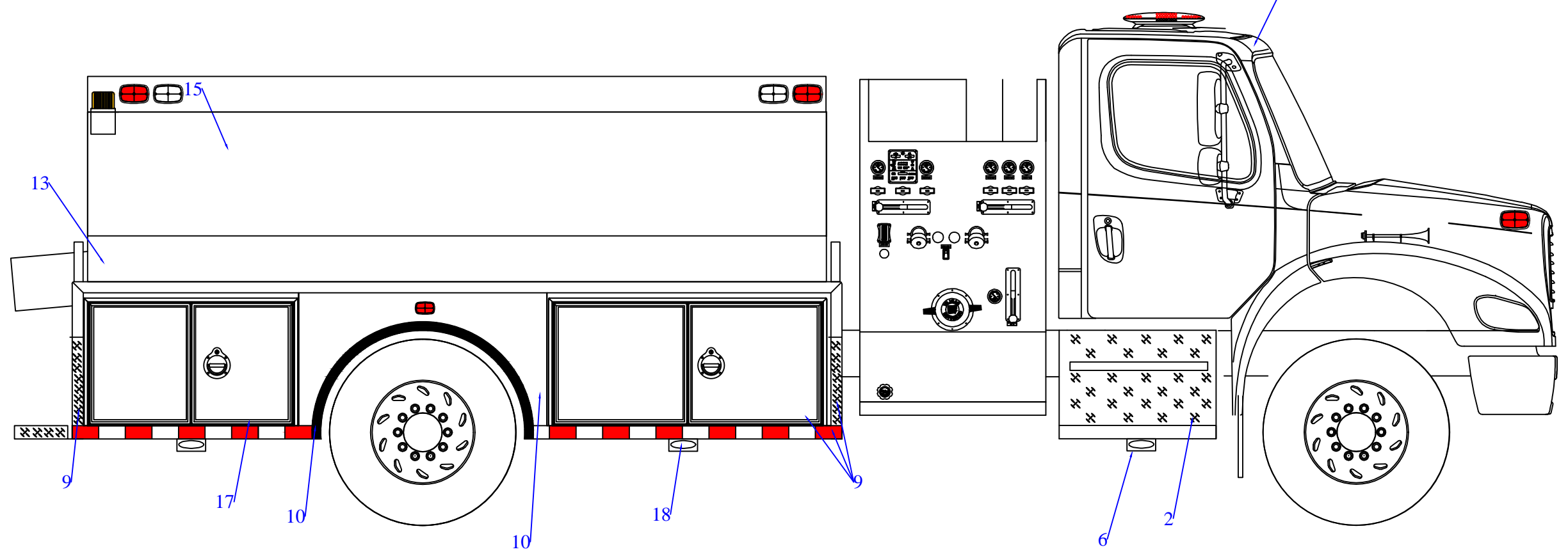


1813		DEMO	
WO#1		WORK ORDER	
		DRIVER	
		DRAWN BY	DATE
		ALB	11-8-16

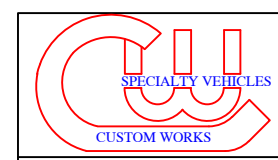
MODULE PARTS LIST			MODULE ELECTRICAL LIST		
ID #	DISCRIPTION	QTY.	ID #	DISCRIPTION	QTY.
9	STD. OPTIONS ***SEE NOTES***	-	16	ALL LIGHTS TO BE PROVIDED BY WHELEN	-
10	SPECIAL OPTIONS ***SEE NOTES***	-	17	COMPT. LIGHTS 9"	4
13	2000 GAL YELLOW FOL-DA-TANK	1	18	UNDERBODY LIGHTS	6
15	2000 GAL TANK W/ REAR CENTER SWIVEL DUMP	1			

9- D/P KICK PANEL  
D/P STONE GUARDS  
D/P KICK PANELS  
NFPA D/P 12.5" BUMPER  
COMPTS- VENTED W/ DRAIN HOLES  
C-CHANNEL W/ RED/ WHITE REFLECTIVE  
LICENSE PLATE W/ LED LIGHT  
REAR TOW EYES  
FRONT AND REAR MUD FLAPS  
EXTRUDED DOORS W/ D-RING LATCHES

10- RUBBER FENDERETTES  
SMOOTH PAINTED WHEEL WELL

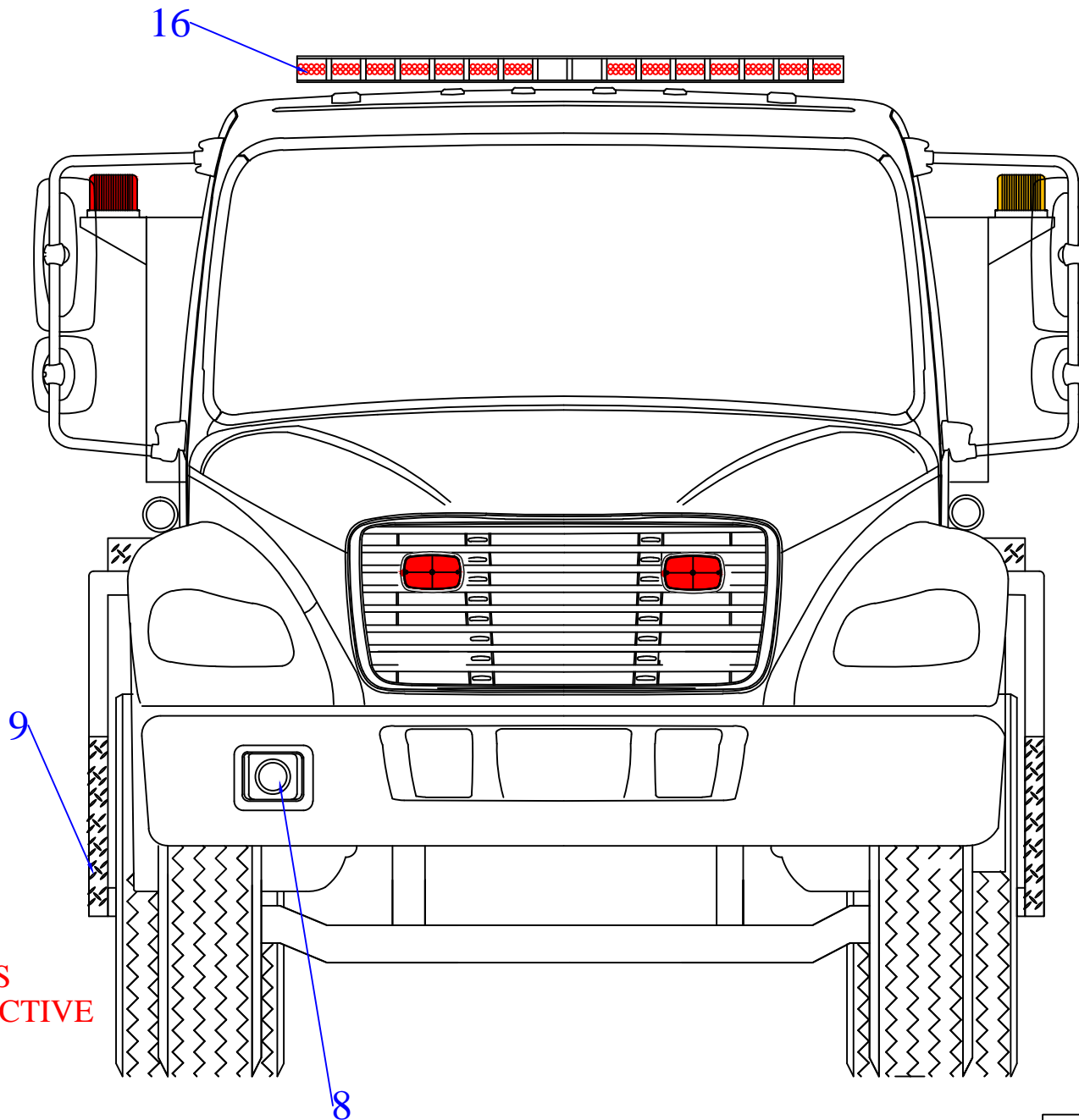


CAB PARTS LIST			CAB ELECTRICAL LIST		
ID #	DISCRIPTION	QTY.	ID #	DISCRIPTION	QTY.
2	D/P RUNNING BOARDS W/ GRIP	2	6	UNDERBODY LIGHTS	2
			7	WHELEN SIREN 295SLSA1	1



DEMO	
WORK ORDER	
1813	
PASSENGER	
WO#2	DRAWN BY ALB DATE 11-8-16


CAB ELECTRICAL LIST			MODULE PARTS LIST		
ID #	DISCRIPTION	QTY.	ID #	DISCRIPTION	QTY.
8	CAST 100W SIREN SPEAKER	1	9	STD. OPTIONS ***SEE NOTES***	-



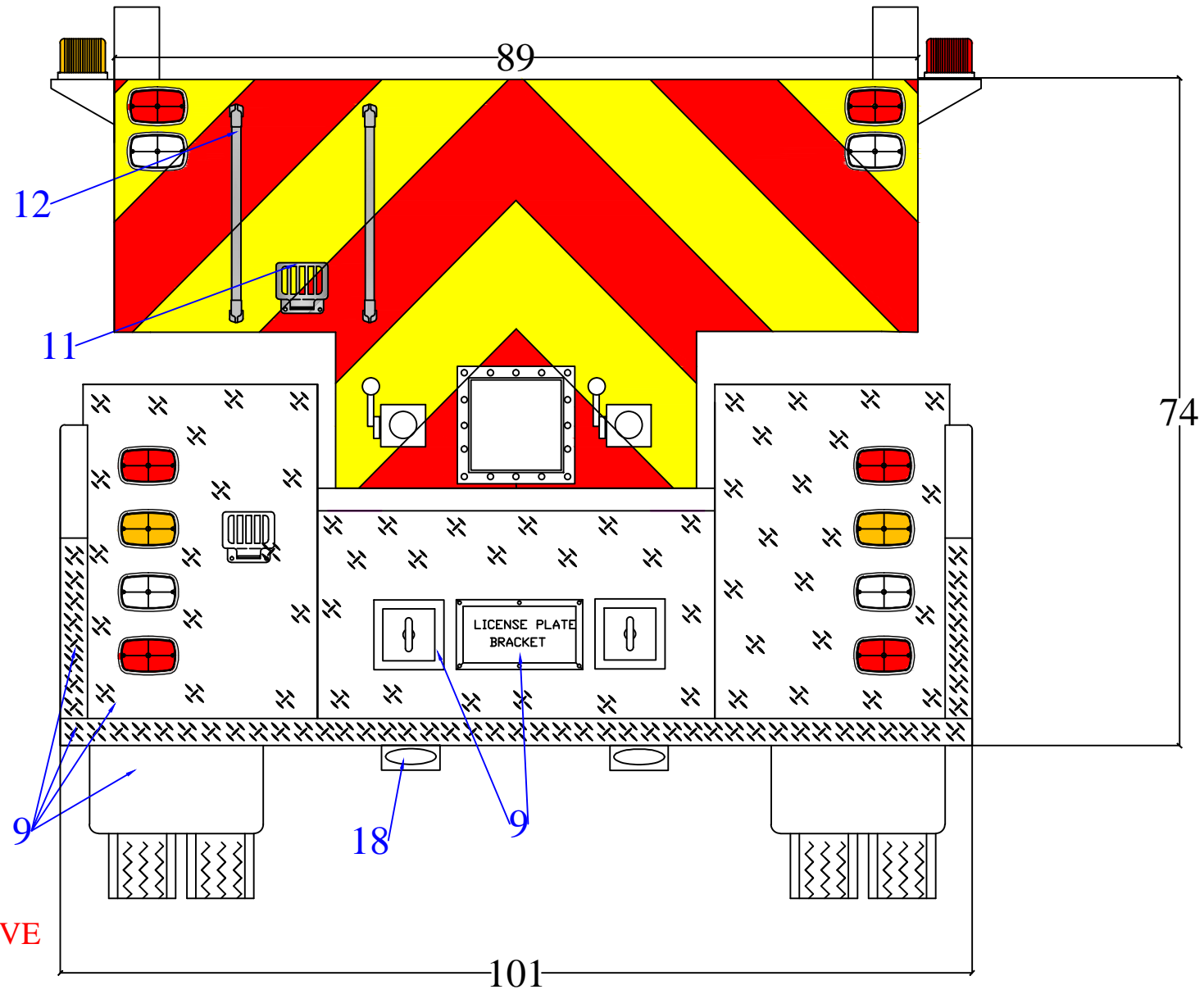
9- D/P KICK PANEL  
D/P STONE GUARDS  
D/P KICK PANELS  
NFPA D/P 12.5" BUMPER  
COMPTS- VENTED W/ DRAIN HOLES  
C-CHANNEL W/ RED/ WHITE REFLECTIVE  
LICENSE PLATE W/ LED LIGHT  
REAR TOW EYES  
FRONT AND REAR MUD FLAPS  
EXTRUDED DOORS W/ D-RING LATCHES

10- RUBBER FENDERETTES  
SMOOTH PAINTED WHEEL WELL

16- WHELEN JUSTICE LIGHT BAR TO BE PULLED FROM STOCK

	DEMO	
	WORK ORDER	
1813	FRONT	
WO#3	DRAWN BY ALB	DATE 2-27-16

MODULE PARTS LIST			MODULE ELECTRICAL LIST		
ID #	DISCRIPTION	QTY.	ID #	DISCRIPTION	QTY.
9	STD. OPTIONS ***SEE NOTES***	-	16	ALL LIGHTS TO BE PROVIDED BY WHELEN	-
11	ACCESS STEPS	2	18	UNDERBODY LIGHTS	6
12	NFPA HANDRAILS	2			




9- D/P KICK PANEL  
D/P STONE GUARDS  
D/P KICK PANELS  
NFPA D/P 12.5" BUMPER  
COMPTS- VENTED W/ DRAIN HOLES  
C-CHANNEL W/ RED/ WHITE REFLECTIVE  
LICENSE PLATE W/ LED LIGHT  
REAR TOW EYES  
FRONT AND REAR MUD FLAPS  
EXTRUDED DOORS W/ D-RING LATCHES

10- RUBBER FENDERETTES  
SMOOTH PAINTED WHEEL WELL

	DEMO	
	WORK ORDER	
	1813	REAR
	WO#4	<small>DRAWN BY</small> ALB <small>DATE</small> 11-8-16


CAB PARTS LIST			CAB ELECTRICAL LIST		
ID #	DISCRIPTION	QTY.	ID #	DISCRIPTION	QTY.
1	2017 FREIGHTLINER M2 106 CHASSIS	1	4	TOUCH TEC ELECTRICAL SYSTEM	1
2	D/P RUNNING BOARDS W/ GRIP	2	5	MASTER BATTERY SWITCH @ DRIVER DOOR	1
3	ALUM JOTTO DESK CONSOLE 425-6248, 425-6203	1	6	UNDERBODY LIGHTS	2
			7	WHELEN SIREN 295SLSA1	1
			8	CAST 100W SIREN SPEAKER	1

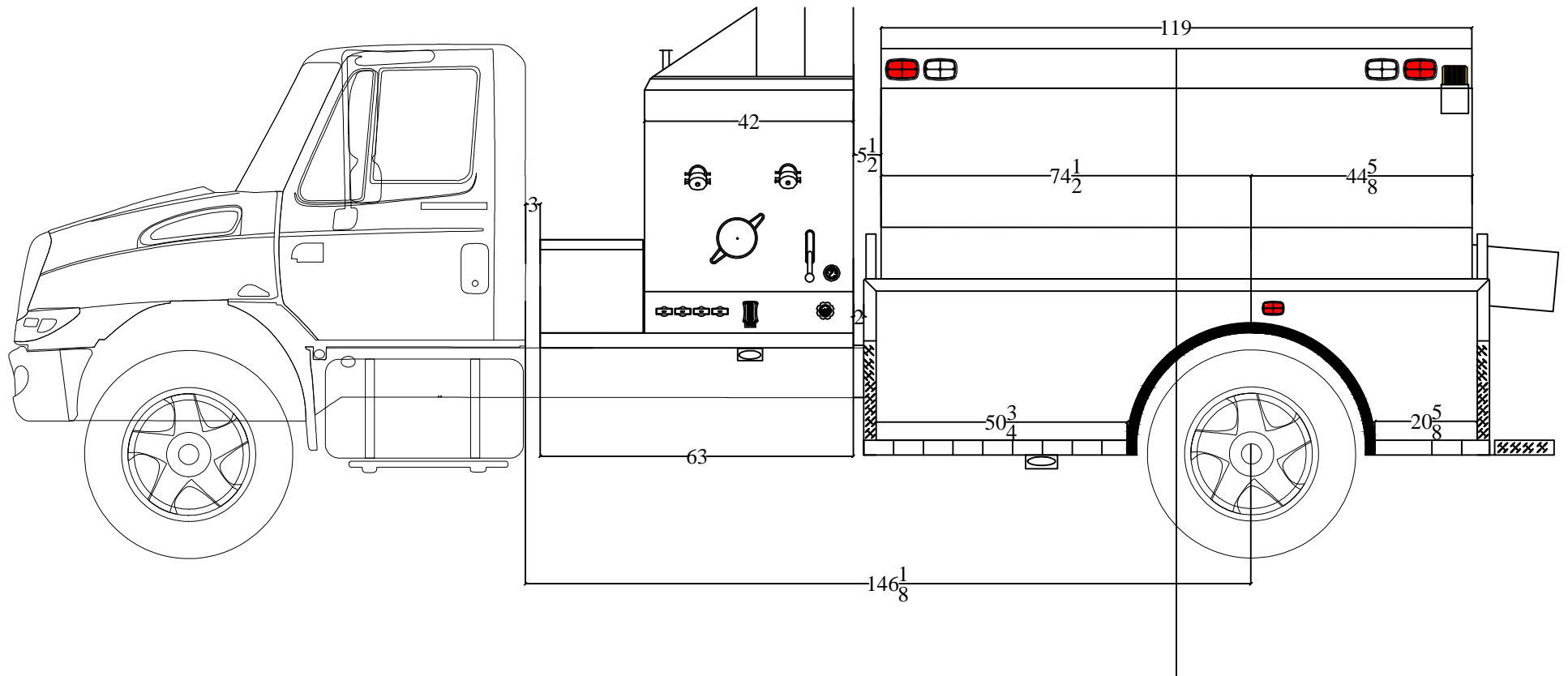
	DEMO	
	WORK ORDER	
	CHASSIS	
	1813	
WO#5	DRAWN BY ALB	DATE 11-8-16


MODULE PARTS LIST			MODULE ELECTRICAL LIST		
ID #	DISCRIPTION	QTY.	ID #	DISCRIPTION	QTY.
9	STD. OPTIONS ***SEE NOTES***	-	16	ALL LIGHTS TO BE PROVIDED BY WHELEN** SEE NOTE	-
10	SPECIAL OPTIONS ***SEE NOTES***	-	17	COMPT. LIGHTS 9"	4
11	ACCESS STEPS	2	18	UNDERBODY LIGHTS	6
12	NFPA HANDRAILS	2	16- WHELEN JUSTICE LIGHT BAR TO BE PULLED FROM STOCK		
13	2000 GAL YELLOW FOL-DA-TANK	1			
14	HALE PUMP MODULE	1			
15	2000 GAL TANK W/ REAR CENTER SWIVEL DUMP	1			

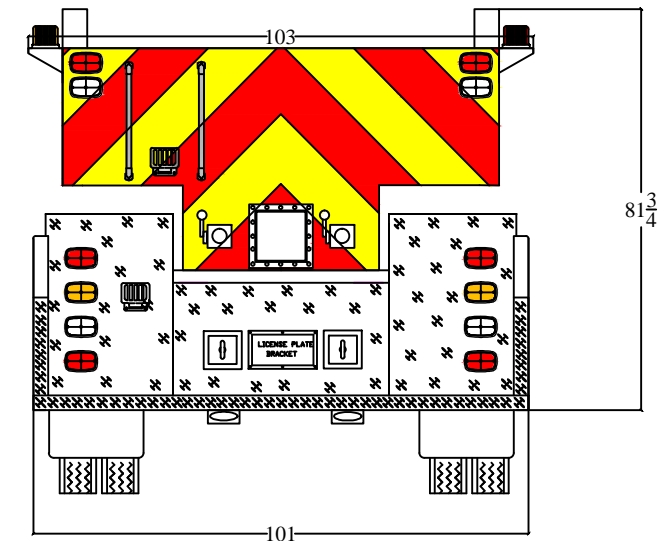
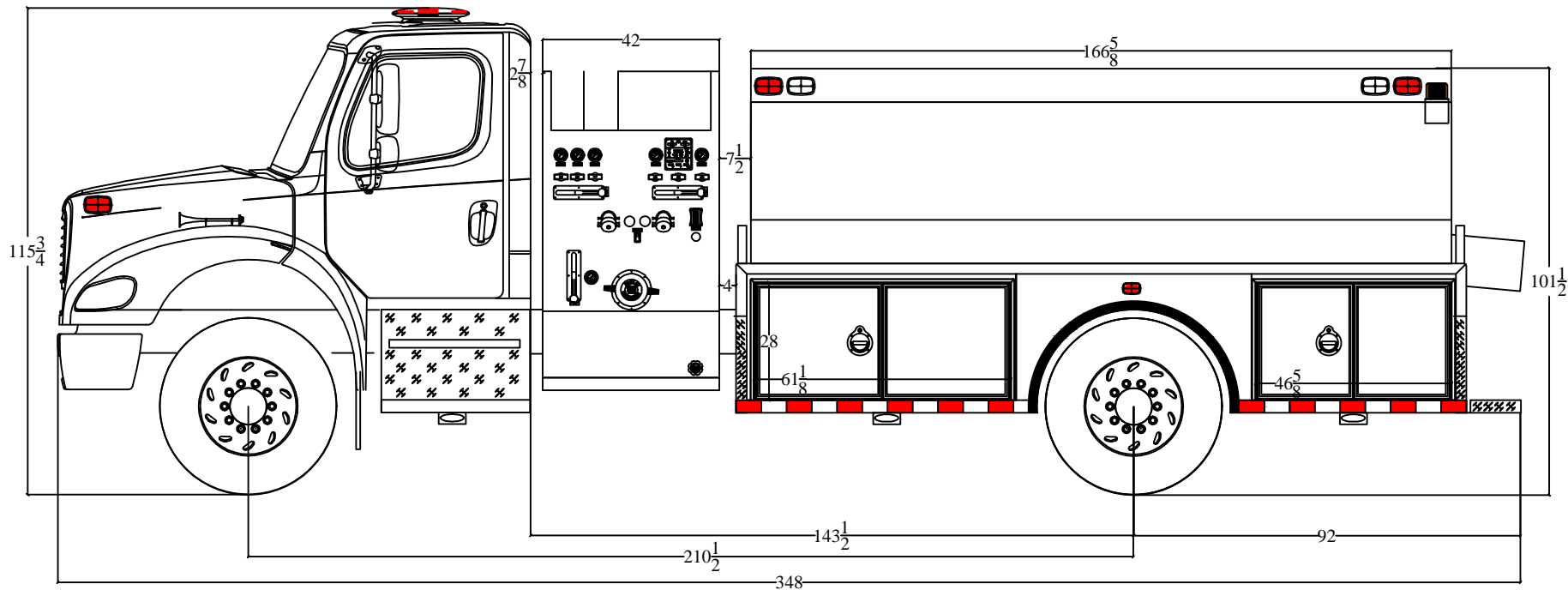
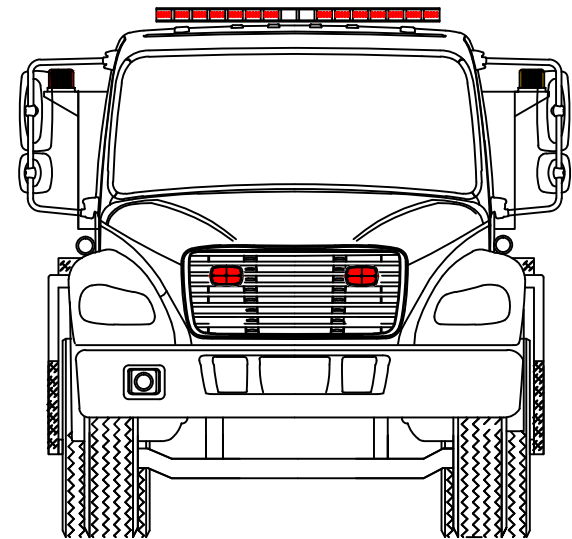
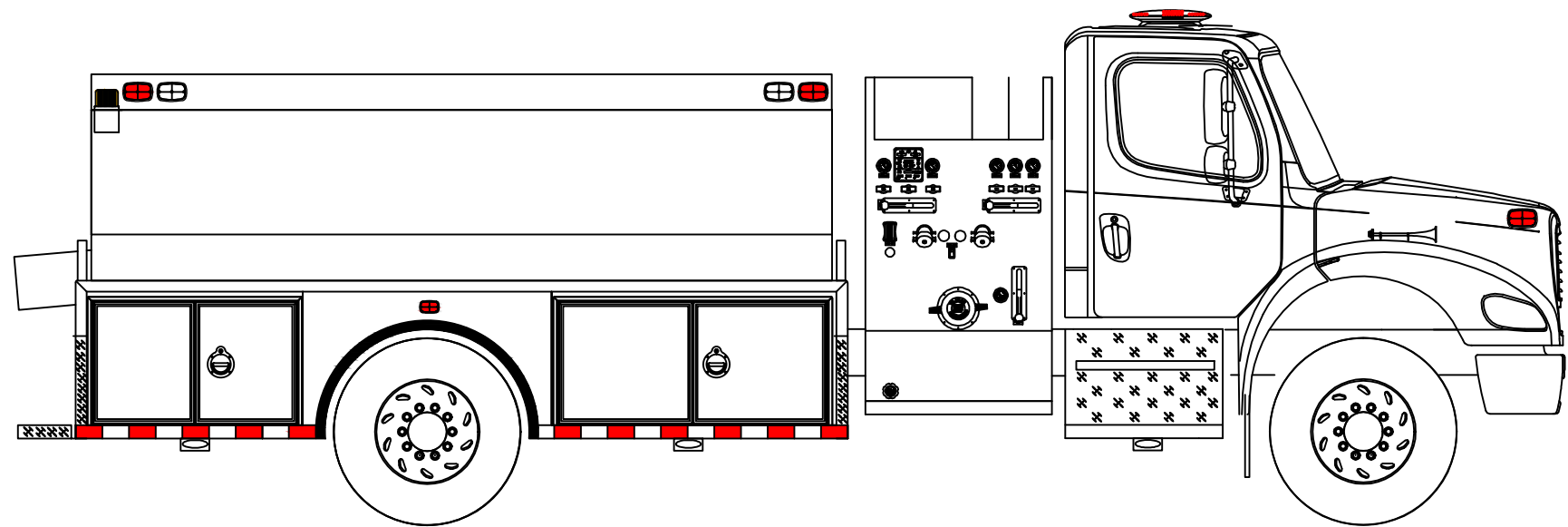
9- D/P KICK PANEL  
D/P STONE GUARDS  
D/P KICK PANELS  
NFPA D/P 12.5" BUMPER  
COMPTS- VENTED W/ DRAIN HOLES  
C-CHANNEL W/ RED/ WHITE REFLECTIVE  
LICENSE PLATE W/ LED LIGHT  
REAR TOW EYES  
FRONT AND REAR MUD FLAPS  
EXTRUDED DOORS W/ D-RING LATCHES


10- RUBBER FENDERETTES  
SMOOTH PAINTED WHEEL WELL

	DEMO	
	WORK ORDER	
	1813	
	WO#6	<small>DRAWN BY</small> ALB <small>DATE</small> 2-27-17



		
	WORK ORDER	
	MODULE	
	DRAWN BY ALB	DATE



	FIRE-FLY	
	2000 GAL TANKER	
	ALL	
	DRAWN BY ALB	DATE 2-22-17